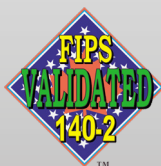


CRYPTO SSD SATA III M.2 2280

2020 Model

Full Disk Encryption
AES 256-bit128
GB256
GB512
GB1
TB2
TB

INTRODUCTION

The most secure next generation form factor encrypted SSD available.

If an ultrabook or laptop with an Integral Crypto SSD SATA III M.2 installed is lost or stolen, sensitive data is secure and cannot be accessed without the high-strength password. When the system is shut down, 256-bit full disk encryption is instigated.

Crypto M.2 SSD is the no-fuss and highly-secure solid state encryption solution for many industries including; finance, legal, health, education and government.

M.2 SATA SSD storage solutions are designed for Notebooks, Desktops, Ultrabooks and tablets. They address the need for more low powered compact storage without compromising performance and reliability of solid state drives.

FEATURES

- **Military level security with AES 256-bit hardware encryption** - More secure than a software-only solution
- **FIPS 140-2 Validated** - Certificate pending
- M.2 2280 form factor with SATA III 6Gbps interface (backwards compatible with SATA 3Gbps and SATA 1.5Gbps)
- Supports 'M' & 'B' Key sockets
- Performance: Faster boot than HDD, Faster access to applications, enhanced productivity and increased efficiency
- Fully compatible with devices and OS that support the SATA standard with M.2 M and B connectors
- **Multi-lingual interface** - 14 languages - Arabic, Chinese, Dutch, English, French, German, Hindi, Italian, Norwegian, Polish, Portuguese, Russian, Spanish and Swedish

Security Features

- **Total Drive Encryption** - All data stored on the Crypto M.2 SSD is encrypted (including the Operating System)
- **Dual Password** - As an option an Administrator can setup a user password and a master override password. If the user forgets their password, the Crypto M.2 SSD can be unlocked by the Administrator and the user password reset.
- **Secure Entry** - Encrypted data cannot be accessed without the correct high-strength 8-16 character alphanumeric password. An optional password hint can be set-up which cannot be the same as the password. Before use a high-strength password must be set.
- **Brute-Force Password Attack Protection** - Encrypted data is automatically erased after the default 6 failed password attempts (password attempts configurable to a maximum of 20). The data and encryption key are securely destroyed and the Crypto M.2 SSD is reset and can then be reused.
- **Anti-Clone** - Crypto M.2 SSD cannot be cloned once encryption is set
- **Tamper-Proof Design** - The electronics are sealed in tamper-proof epoxy resin
- **High-speed Read/Write** – The Crypto M.2 SSD has both high encryption and the main benefit of a performance SSD. Read and Write times are up to 550MB/s (R) and 530MB/s (W).
- **Quick Boot** - Using a Crypto M.2 SSD in place of a traditional HDD can cut your ultrabook or laptop's boot time in half
- **No moving parts** - greater resistance to shock and vibration
- **Noise free** - no spin or seek time
- **Endpoint security software compatible** – The Integral Crypto M.2 SSD operates comfortably with endpoint security solutions by using the configurable unique ID feature, which is part of the setup program
- **Warranty** – 3 Years

Technical Features

- SATA III M.2 22x80
- Compliant with SATA Revision 3.2
- Compatible with Windows 10 and Linux upon request

FORM FACTOR & INTERFACE	
Form Factor	M.2 22 X 80
Interface	SATA III 6GBPS. ALSO COMPATIBLE WITH SATA II 3GBPS. ALSO COMPATIBLE WITH SATA 1.5GBPS
Compliance	SATA Revision 3.2
NAND	TLC
Controller	Integral Proprietary

PERFORMANCE					
Capacity	Sequential Speed*		Random Speed*		TBW
	Read	Write	Read	Write	
128GB	550	530	94K	90K	204
256GB	550	530	98K	90K	431
512GB	550	530	98K	91K	919
1TB	550	530	98K	90K	1796
2TB	550	530	99K	91K	3675

SEQUENTIAL SPEED (UP TO) MBS *RANDOM SPEED (UP TO)* 4K IOPS

POWER CONSUMPTION					
Capacity	Power Management (Volt)	Read (mW)	Write (mW)	Idle (mW)	
128GB	3.3	1800	1700	105	
256GB	3.3	1800	1800	100	
512GB	3.3	1900	1800	100	
1TB	3.3	2000	1800	105	
2TB	3.3	2000	1800	100	

ENVIRONMENTAL	
Operating Temperature	0° to +70°C
Non-operating Temperature	-40° to +85°C
Humidity	RH 90% under 40°C (operational)

FEATURES	
Supports SMART Software	YES
Supports TRIM	Yes (OS support required)
ECC Scheme	LDPC
MTBF	>2 Million Hours
Compliance	CE, FCC, RoHS, UL

UNPACKAGED DIMENSION	
Length mm	80
Width mm	22
Height mm	3.9 double sided
Weight (g)	9

PACKAGED DIMENSION	
Length mm	195
Width mm	125
Height mm	16
Weight (g)	69

CAPACITY	PART CODE	BARCODE (EAN)
128GB	INSSD128GM280C 140	5055288445055
256GB	INSSD256GM280C 140	5055288445062
512GB	INSSD512GM280C 140	5055288445079
1TB	INSSD1TM280C 140	5055288445086
2TB	INSSD2TM280C 140	5055288445093

WARRANTY
3 years or TBW

Notes:

Actual performance may vary and depends on use conditions, host and environment. Based on internal testing.

Sequential R/W is measured using ATTO.

IOPS measured in IOMeter.

Mean Time Between Failures is estimated based on JEDEC-218/219 standard methodology.

TBW is a measurement of SSDs expected lifespan, which represents the amount of data written to the device. This is only an estimate and can differ based on user usage behaviour, platform and estimates provided by the flash vendor.

Power Consumption may differ according to flash configuration and platform.

Humidity test was for 4 hours.

Unless otherwise agreed in writing, Integral does not recommend nor warrant products for use in life support, nuclear, medical, military, transportation, automotive, aviation, aerospace industry or other applications where in a failure or defect of the product may threaten life, injury, health, loss of a significant amount of money ("Critical Use"), and the customer and user hereby assumes all risk of any critical use of the product.

Mean Time Between Failures is estimated based on JEDEC-218/219 standard methodology.

For products with security software or hardware; the product cannot be guaranteed to be fully secure. No security system can be considered absolute. This device should not be used as your sole backup.

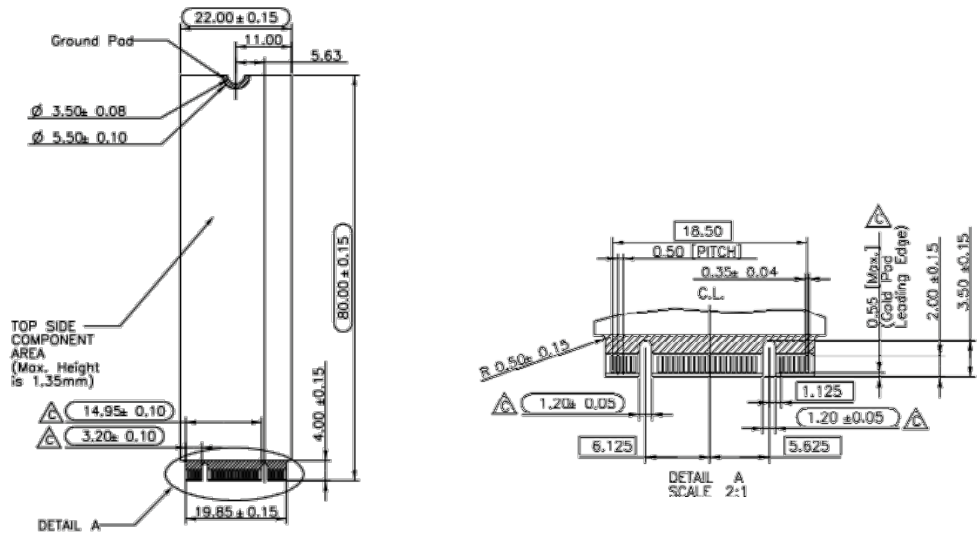
Product design and specification subject to change or modification without notice. E&OE.

All trademarks acknowledged.

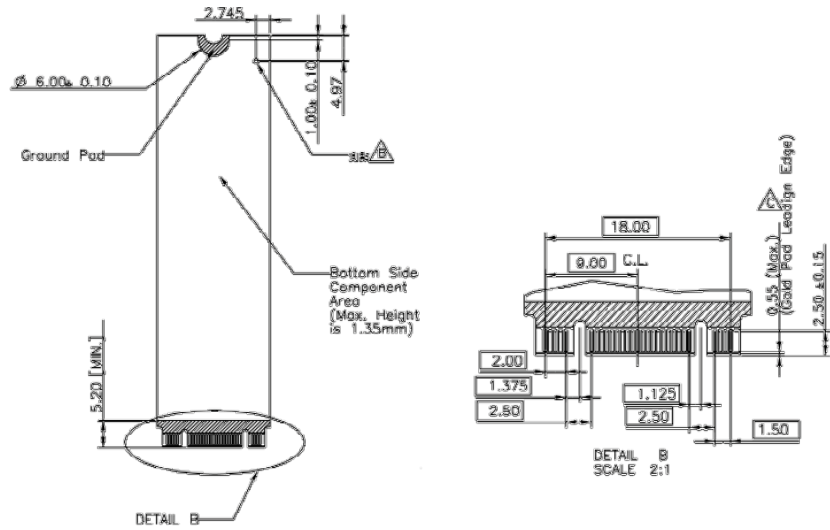
For warranty information please visit www.integralmemory.com/warranty

All Specifications are subject to change without notice 1GB = 1,000,000,000 Bytes, 1TB = 1,000,000,000,000 Bytes; 1 sector = 512 Bytes. The total usable capacity of the SSD may be less than the total physical capacity because a small portion of the capacity is used for NAND flash management and maintenance purposes.

Top View



Bottom View



Side View

